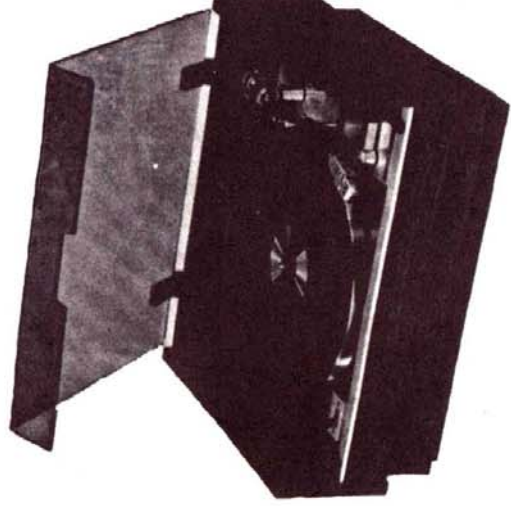




# SANYO TURNTABLE TP 80S SERVICE MANUAL

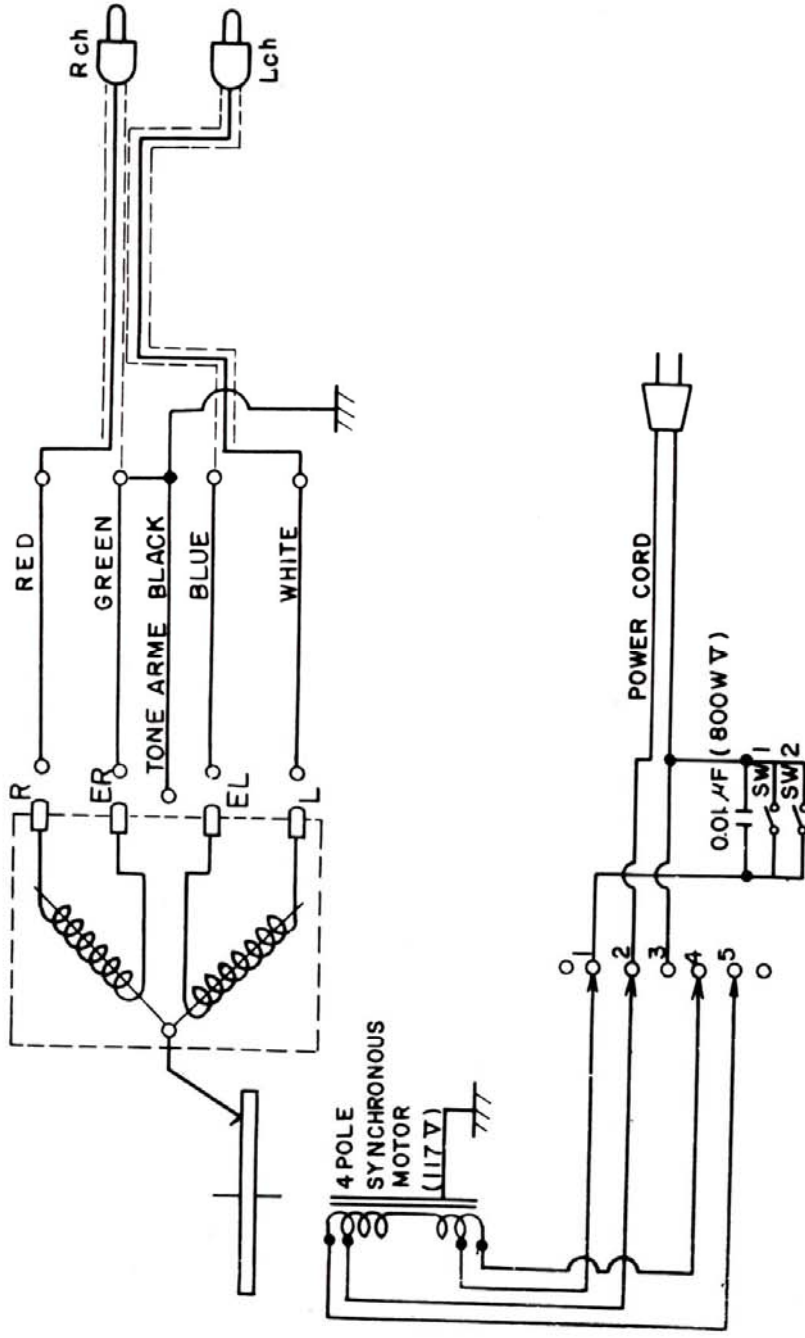


A PRODUCT OF SANYO ELECTRIC INC.

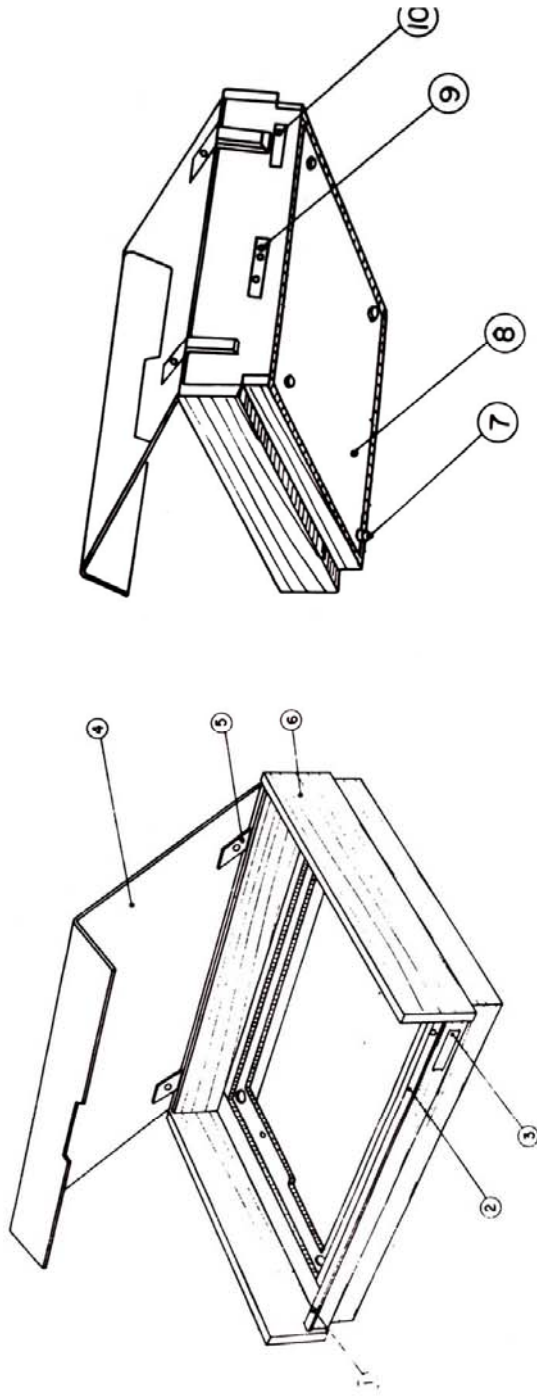
## SPECIFICATIONS

<b>Features:</b>	2-speed Belt Drive with Automatic Cut, Automatic Return and Tonearm Lifter	<b>Frequency Response:</b>	20 – 20,000 Hz
<b>Tonearm:</b>	Static Balanced, S-shaped Pipe Arm with Lateral Balancer and Plug-in Cartridge	<b>Wow &amp; Flutter:</b>	Less than 0.1%
<b>Tracking Force:</b>	0 – 4 g	<b>S/N:</b>	More than 50 dB
<b>Motor:</b>	4-pole Synchronous Motor	<b>Channel Separation:</b>	More than 25 dB
<b>Turntable Speed:</b>	33-1/3 and 45 r.p.m.	<b>Compliance:</b>	$6 \times 10^{-6}$ cm/dyn
<b>Turntable:</b>	12" Aluminum Diecast	<b>CaJinet:</b>	Walnut
<b>Output:</b>	4mV at 1,000 Hz	<b>Dimensions:</b>	18-1/2"(W) x 15"(D) x 5"(H)
		<b>Weight:</b>	21.8 lbs.

## SCHEMATIC DIAGRAM



## EXPLODED VIEW (CABINET)

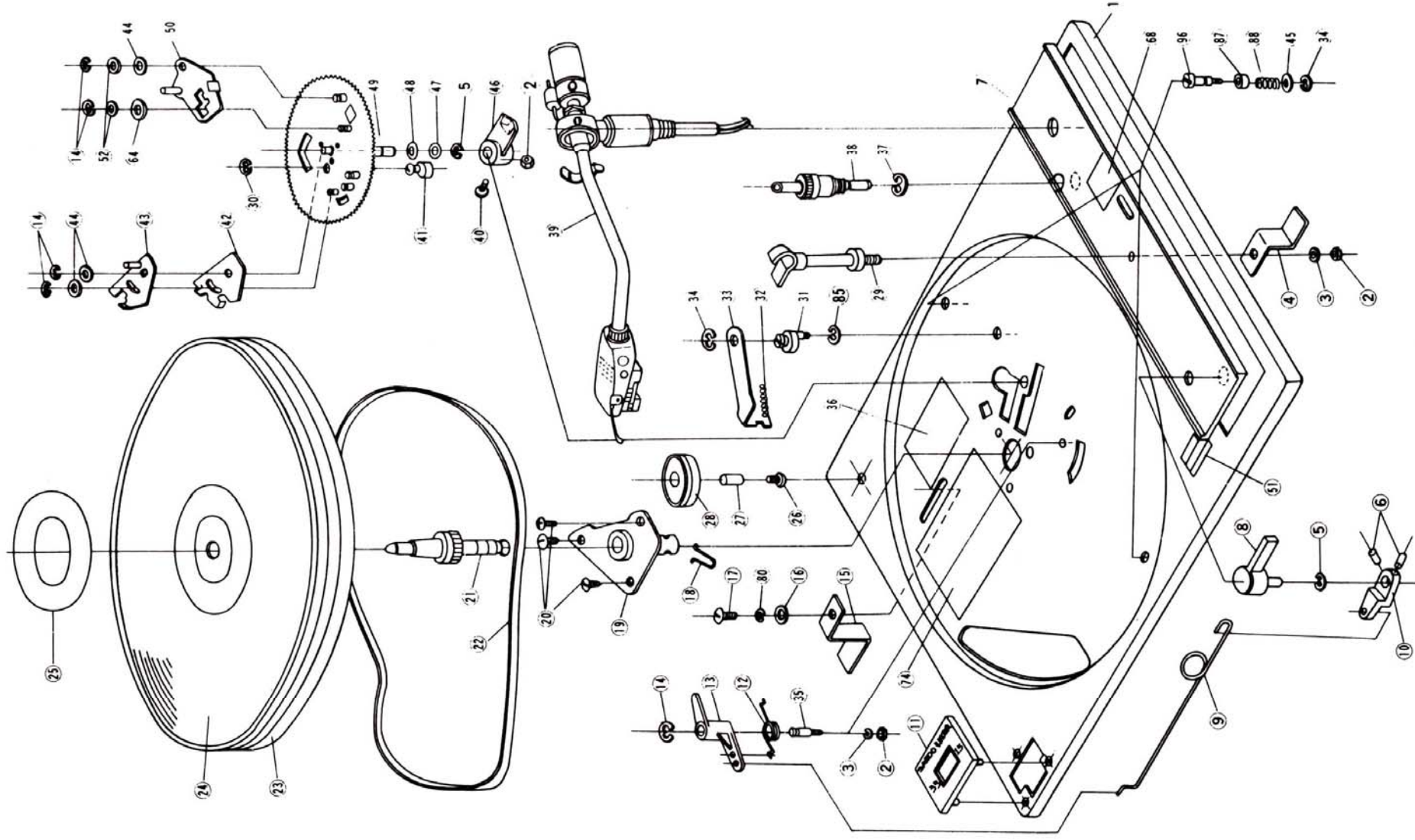


# PARTS LIST

Ref. No.	Part No.	Description	Q'ty
<b>CABINET</b>			
1	134 0 1101 00101	Case assy	1
2	131 2 2904 10100	Pad, Lid	2
3	131 2 1311 25702	Sash	1
4	111 2 1381 17570	Badge	1
5	134 2 1107 10101	Lid	1
6	131 0 2002 13600	Hinge assy	2
9	134 2 1101 10401	Case	1
10	131 2 3101 11900	Metal, Mount	1
	131 2 1310 13302	Name plate	1
	131 2 4212 00101	Nut, Plate	2
	131 2 2903 11400	Rubber pad	4
	131 2 4201 11700	Screw	2
	131 2 4202 11400	Nut	2
7	131 2 1804 10300	Leg, Rubber	4
8	134 2 1105 10201	Plate, Bottom	4
	131 2 6111 11300	Bushing, AC cord	1
	131 2 6111 10300	Bushing, Shield wire	1
		Pan head screw 3x18, Hinge	4
		Pan head wooden screw 3.1x10, Hinge bushing	6
		Pan head wooden screw 3.1x20, Leg	4
		Pan head wooden screw 2.7x8, Nut plate	4
		Disk head wooden screw 2.7x8, Sash	3
		Washer 3.2x10x0.5, Hinge	8
		Washer 4.5x12x1t, Leg	4
		Hexagon nut 3, Hinge	4
<b>TURNTABLE</b>			
1	134 0 6001 11803	Unit plate assy	1
2		Hexagon nut 3mm	1
3		Spring washer 3φ	1
4	134 2 2403 11601	Angle mount	1
5		Internals: "E", ring 3φ	1
6		Head less screw 3x6mm	1
7	134 2 1203 10302	Panel control	1
8	134 0 1001 11902	Knob assy	1
9	134 2 5101 18301	Spring	1
10	134 2 4120 13700	Lever	1
11	134 0 1007 00100	Cover select assy	1
12	134 2 5101 18400	Spring	1
13	134 2 4120 13800	Lever	1
14		Internal "E", ring	1
15	134 2 2403 11400	Angle mount	1
16		Nylon washer 4x10x1t	1
17		Pan head screw 4x10mm	1
18	134 2 5101 18500	Spring	1
19	134 0 5010 10200	Bearing TT, assy	1
21	134 0 5010 10300	Bearing TT, assy	1
22	134 2 6302 10200	Belt	1
23	134 2 6101 10800	Turntable	1
24	134 2 6102 12200	Mat turntable	1
25	134 2 6103 10000	Plate decorate TT	1
26		Pan head screw 3x8mm	1
27	134 2 2902 00301	Pin adaptor EP	1
28	134 2 2901 10501	Adaptor EP	1
29	134 0 6031 11100	Armrest assy	1
30		Internal "E", ring 3φ	1
31	134 2 4124 10300	Cam	1
32	134 2 5101 15600	Spring	1
33	134 2 4123 11400	Arm	1
34		Internal "E", ring 5φ	1
35	134 2 4106 14700	Shaft	1
36	134 6 4159 11200	Notes, Lifter	1
37		Internal "E", ring 8φ	1
38	134 0 6017 10500	Liftre assy	1
39	134 0 4001 01801	Tone arm assy	1
	134 0 4002 10001	Arm head assy	1
40		Disk head screw 3x8mm	1
41	134 2 4109 13900	Pin	1
42	134 2 4122 10600	Trip	1
43	134 0 6011 10800	Trip assy	1
44	134 2 4203 01600	Washer	1
45		Washer 6x13x0.8t	1
46	134 2 4120 14401	Lever	1
47		Fiber washer 5x10x0.5t	1
48		Fiber washer 5x10x0.3t	1
49	134 0 6030 10900	Gear cycling assy	1

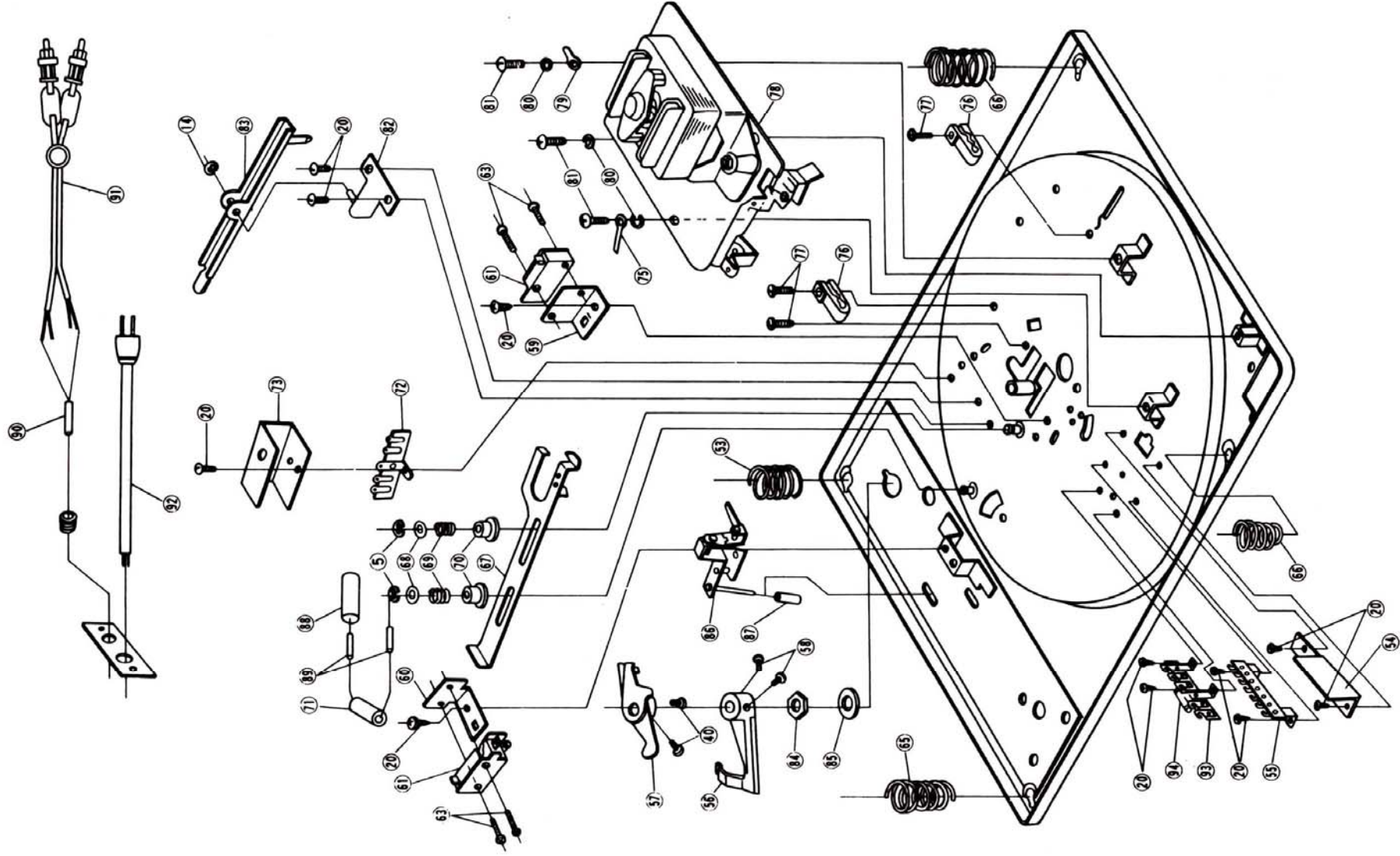
Ref. No.	Part No.	Description	Q'ty
<b>TURNTABLE</b>			
50	134 0 6011 10900	Trip assy	1
52	134 2 5102 12100	Washer 4x10x0.8t	1
53	134 2 2403 11700	Spring mounting	2
54	134 2 2403 11700	Angle mount	1
55	4 2379 20720	Lug 5P	1
56	134 2 4123 12501	Arm	1
57	134 0 6014 10600	Plate PU trabel assy	1
58		Disk head serew 4x6mm	1
59	134 2 2604 10500	Angle switch	1
60	134 2 2604 10600	Angle switch	1
61	4 2319 21991	Switch Power	2
62	134 6 4159 11301	Notes, AUTO-MANUAL selector	1
63		Pan head screw 3x14mm	1
64		Washer 4x14x0.5t	1
65	134 2 5102 12200	Spring mounting	1
66	134 2 5102 12000	Spring mounting	1
67	134 0 6035 10700	Arm return assy	1
68		Washer 5x10x0.2t	1
69	134 2 5101 19300	Spring	2
70	134 2 4118 13400	Boss	2
71		Capacitor, paper 0.01μF 800WV	1
73	131 2 6103 11000	Cover shield	1
74	131 6 4159 15904	Notes, take out turntable	1
75		Presser, Cord	1
76		Holder, Cord	1
77		Pan head tapping screw 3x12mm	1
78	4 1569 20512	Phono motor	1
79		Lug	1
80		Spring washer 4φ	1
81		Pan head screw 4x8mm	1
82	134 0 6026 10300	Angle elevate assy	1
83	134 0 6042 10000	Plate lifting assy	1
84		Hexagon nut 10φ	1
85		Washer 10φ	1
86	134 0 6009 10700	Lever set assy	1
87	134 2 1601 12400	Knob	1
88		Tube	1
89		Tube	1
90		Tube	1
91	131 0 4004 11201	Wire shield assy	1
92	4 2439 20390	Power cord	1
93	4 2379 20421	Lug 4P	1
	134 2 4201 11201	Screw	1
	134 2 4213 10200	Washer, Bowe	2
	134 2 2104 10601	Screw, Transit	2
	134 2 5101 18700	Spring	2
	131 6 4159 16100	Notes, Motor clump screw	1
	134 6 4159 11400	Notes, Sub-weight	1

**EXPLODED VIEW**



**TOP VIEW**

**EXPLODED VIEW**



**(BOTTOM VIEW)**

**SANYO ELECTRIC INC.**

1200, West Artesia Blvd., Compton, California 90220

WM-219

Printed in Japan